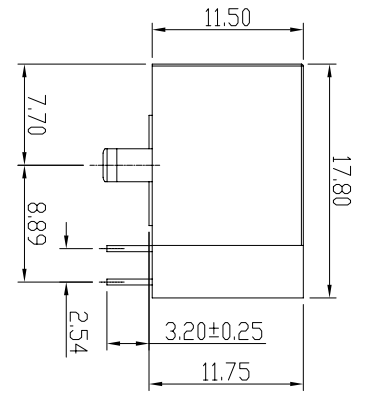
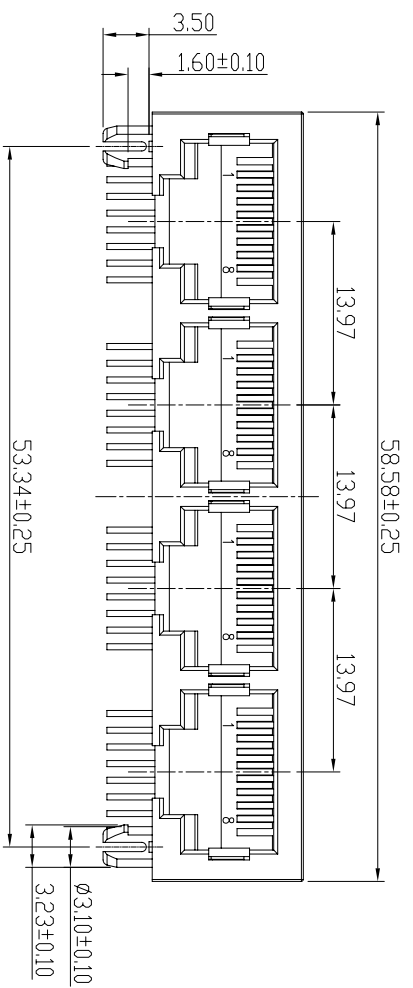
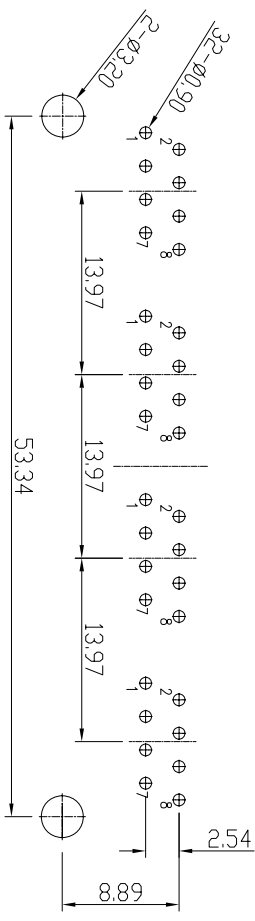
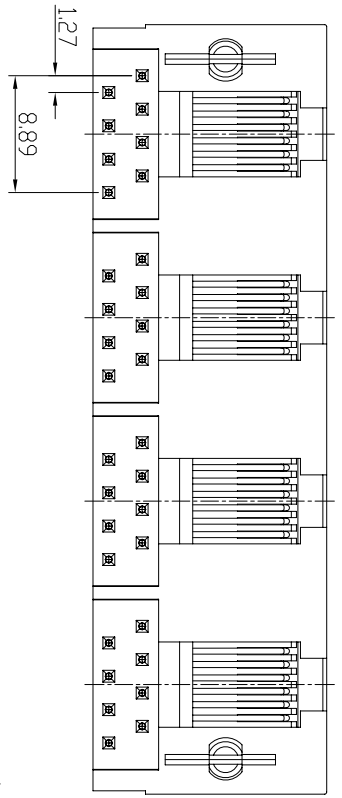


CATEGORY	DESCRIPTION	P/N #	REV.	ECN NO	DESCRIPTION	REVISED	DATE
CONNECTOR	RJ45 8P8C全塑1x4	MJ5608-XX14-HRN2	A01		New Release	Tony	2017.08.01



- SPECIFICATION**
- VOLTAGE RATING: 150 VAC RMS.
 - CURRENT RATING: 1.5 A
 - CONTACT RESISTANCE: 40 mΩ MAX
 - INSULATION RESISTANCE: 500MΩ MIN.
 - WITHSTAND VOLTAGE: AC1000V RMS
 - OPERATURE TEMPERATURE: -40°C~+80°C
 - DURABILITY: 750 MATING CYCLES MIN



MJ5608-XX14-HRN2

X	PART COLOR
0	G/F Plating
1	Au 3u" Plating
2	Au 6u" Plating
3	Au 15u" Plating
4	Au 30u" Plating
5	Au 50u" Plating

X	Terminal Plating
0	G/F Plating
1	Au 3u" Plating
2	Au 6u" Plating
3	Au 15u" Plating
4	Au 30u" Plating
5	Au 50u" Plating

Recommend PCB Layout
(lack Top View)
Tolerance: ±0.05mm
Recommend PCB Thickness: 1.6mm

c	TERMINAL	32	PHOSPHOR BRONZE Ø0.46	Au PLATING	
b	INSERT	4	PBT UL94V-0	TABLE 1	
a	HOUSING	1	PBT UL94V-0	TABLE 1	
NO.	PART NAME	QTY	MATERIAL	PLATING & COLOR	Remark

UNLESS OTHERWISE SPECIFIED TOLERANCES

DECIMALS:	ANGLES:
X : ±0.5	X : ±2
XX : ±0.3	XX : ±1
XXX : ±0.2	

東莞市合陵電子有限公司
DongGuan Heling Electronic Co.,LTD

SCALE: 1/1 UNIT: mm
SIZE: A3 PAGE: 1 OF 1 REV: A01
APPROVED BY: _____ CHECKED BY: _____
DICK: XSY PREPARED BY: XSY

CUSTOMER COPY