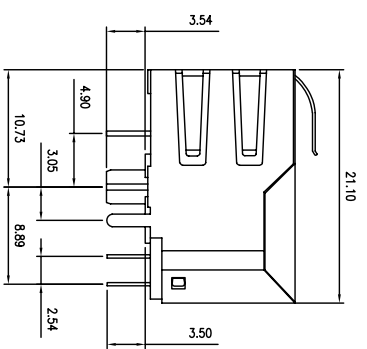
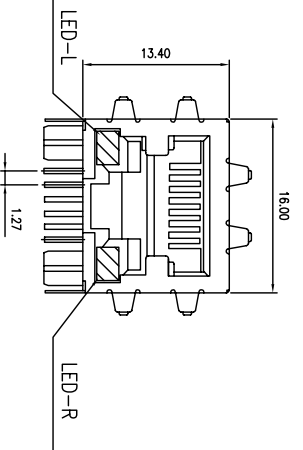


CATEGORY	DESCRIPTION	P/N #	REV.	ECN NO	DESCRIPTION	REVISED	DATE
CONNECTOR	RJ45 10/100Mbps With LED	MJ1A-B211-RSLX2T001-2	A01		整理図面	XSY	2015.05.02



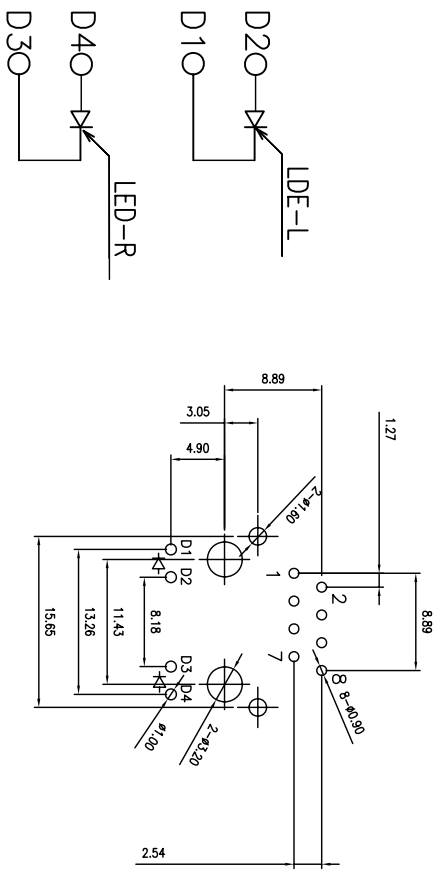
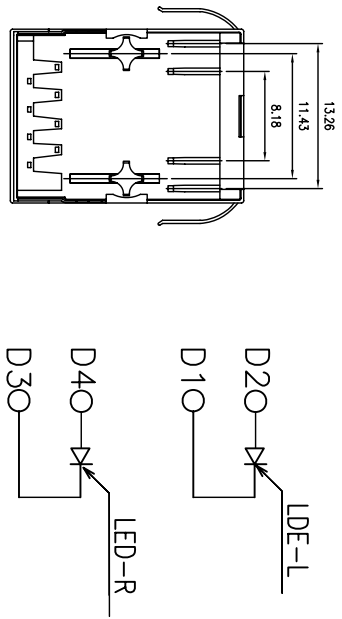
MJ1A-B211-RSLX2T001-2

TABLE 1

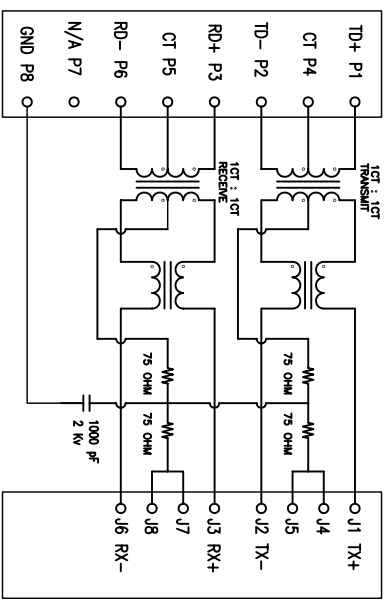
X	LED-L	LED-R
1	GREEN	YELLOW
2	YELLOW	GREEN

ELECTRICAL SPECIFICATIONS @ 25°C+/-5°C

Insertion Loss: 1-100MHZ -1.0DB MAX
 Return Loss: 1-30MHZ -16.0DB MIN
 30-60MHZ -14.0DB MIN
 60-80MHZ -10.0DB MIN
 Cross Talk: 1-30MHZ -40.0DB MIN
 30-60MHZ -35.0DB MIN
 60-80MHZ -30.0DB MIN
 Turn Ratio: 1CT:1CT+/-3%
 CMR:1-100MHZ -35.0DB MIN
 Hi-Pot: 1000v AC 2S 1mA
 OCL:350uH MIN @ 100KHZ 100mV 8mA DC
 Operating temperature range:0°C to +70°C



Recommend PCB Layout
 (lack Top View)
 Tolerance: ±0.05mm
 Recommend PCB Thickness: 1.6mm



g	LED-R	1	See Table1	Tin PALTING	
f	LED-L	1	See Table1	Tin PALTING	
e	SHELL	1	BRASS	Ni PALTING	
d	SOLDER TERMINAL	8	BRASS	Tin PALTING	
c	CONTACT TERMINAL	8	PHOSPHOR BRONZE	Au 6u" PALTING	
b	COVER	1	PBT UL94V-0	BLACK	
a	HOUSING	1	PBT UL94V-0	BLACK	
NO.	PART NAME	QTY	MATERIAL	PLATING & COLOR	Remark

UNLESS OTHERWISE SPECIFIED TOLERANCES

DECIMALS:	ANGLES:
X : ±0.5	X : ±2°
X.X : ±0.3	X.X : ±1'
X.XX : ±0.2	

東莞市合陵電子有限公司
 DongGuan Heling Electronic Co.,LTD

SCALE:1/1 UNIT: mm DWG.NO:
 SIZE: A3 PAGE:1 OF 1 REV:A01
 APPROVED BY: XSY CHECKED BY: XSY PREPARED BY: XSY
 DICK: XSY
 CUSTOMER COPY